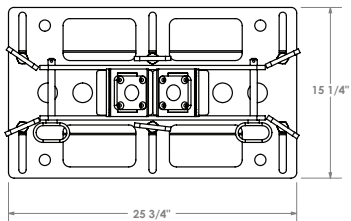
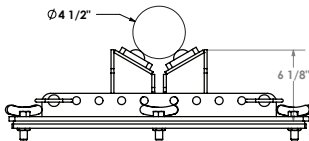
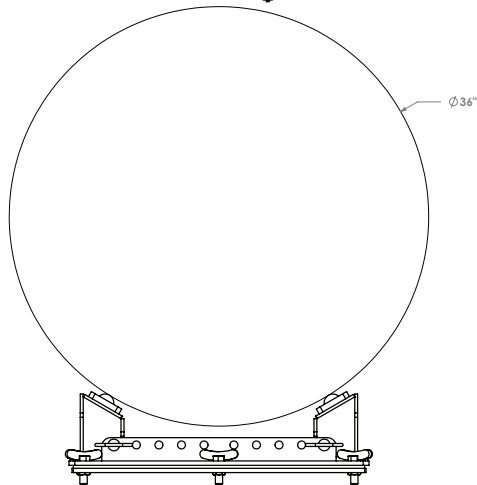
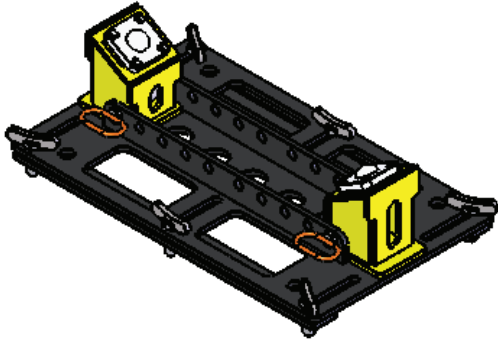


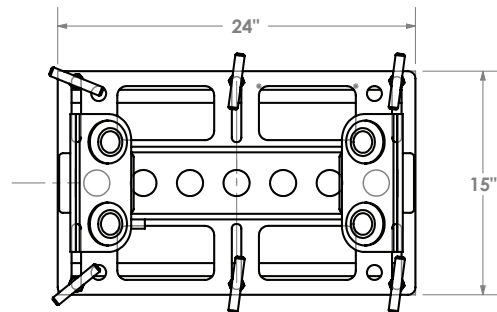
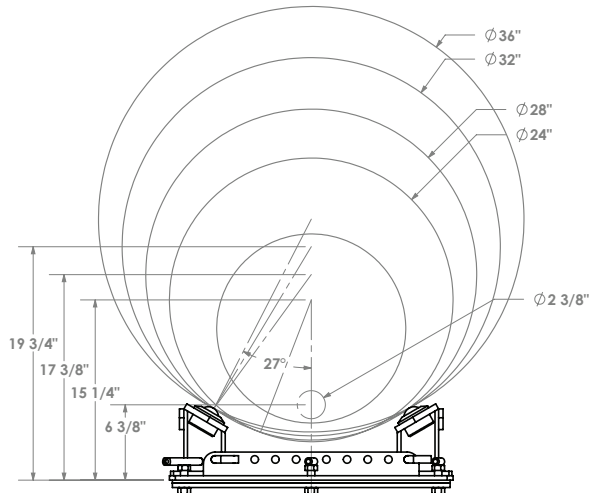
Rack Rollers | 2 Ton | MDR | Multi-Directional Roller Specifications

Model MDR-700
Multi-Directional Rack Roller (2 Roller)
 Diameter Range: 2" - 36"



Beam Clamping Range:
 5" - 12" Flange Width
 1/4" - 1" Flange Thickness

Model MDR-600
Multi-Directional Rack Roller (4 Roller)
 Diameter Range: 2 3/8" - 36"



- Rating for fully beam supported and centered base only.
- Inspect all units for signs of abuse or damage.
 - Ensure base is secure before use.
 - Do not use if not secured or any component is damaged.