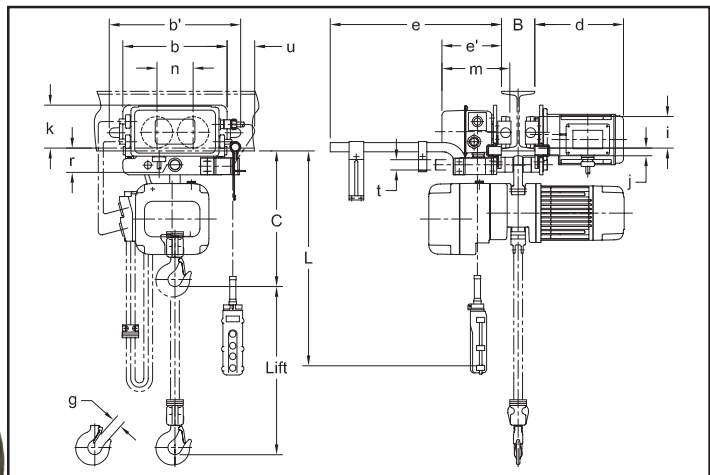


Electric Chain Hoists | 2 Ton | SNERM | Motorized Trolley

Model SNERM020L-L/S



SNERM010L-L



Single Speed Hoist with Single Speed Trolley - Specifications

Capacity (Tons)	Model	Lifting Speed (ft./min.)	Traversing Speed (ft./min.)	Headroom	Lifting Motor 1 Phase 60 Hz		Traversing Motor 1 Phase 60 Hz			Flange Range		Min. Radius	Load Chain Dia. (mm)	Weight (lbs.)	Weight for Additional One Foot of Lift (lbs.)	Strands of Load Chain	
					Output (Hp)	Rated Current (amps)		Output (Hp)	Rated Current (amps)		Standard						Optional
						@115V	@230V		@115V	@230V							
2	SNERM020L-L/S	7	L=40, S=80	22.2"	1.2	23.9	12.0	0.54	6.2	3.1	3.23" to 6.02"	6.03" to 7.02" OR 7.03" to 12.00"	39.4	10.0	261	1.5	1

Green shading reflects rental inventory.

Single Speed Hoist with Single Speed Trolley - Dimensions

Capacity (Tons)	Model	Flange Width Adjustability B		b	b1	C	d	e	e1	g	i	j	k	m	n	r	t	u
		Standard	Optional															
2	SNERM020L-L/S	3.23" to 6.02"	6.03" to 7.02" OR 7.03" to 12.00"	12.8"	16.4"	22.2"	10.7"	20.5"	7.2"	1.5"	4.33"	1.1"	4.9"	8.3"	4.6"	2.4"	1.42"	3.0"

Green shading reflects rental inventory.