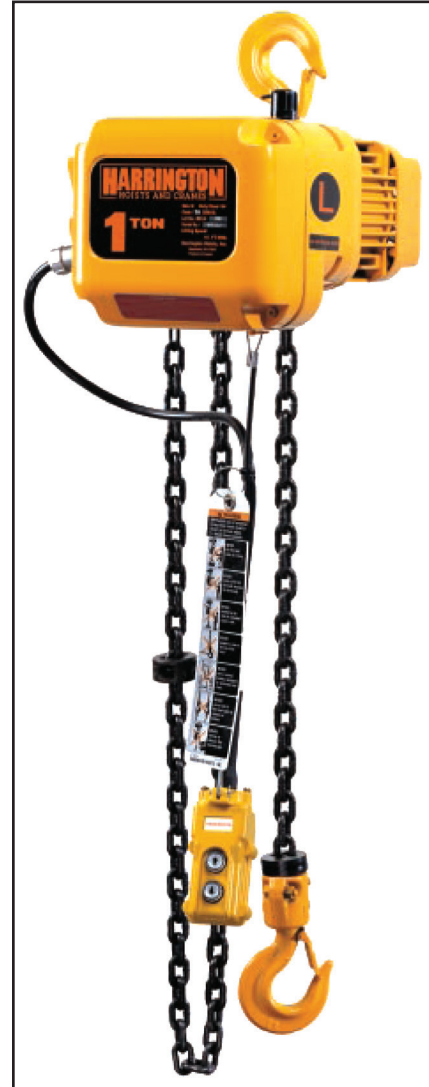
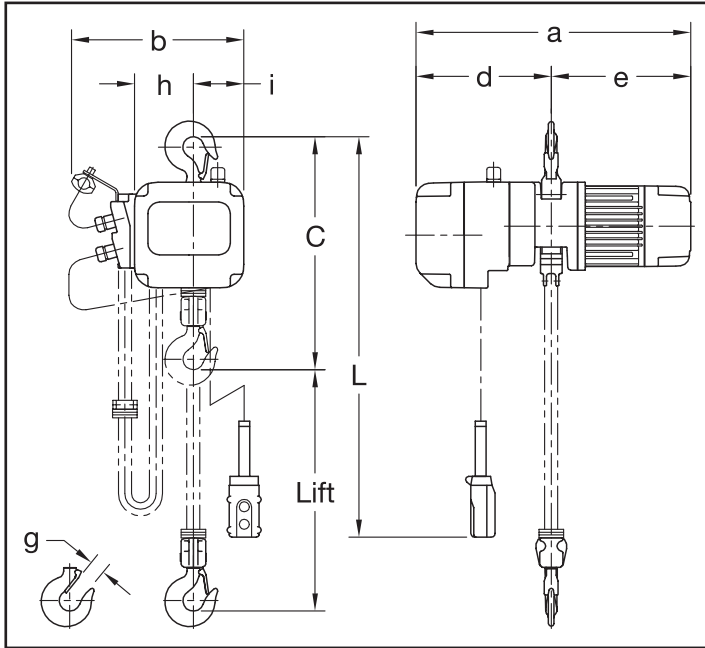


Electric Chain Hoists | 2 1/2 – 5 Ton | NER | Hook Top | Single Speed

Model
NER010L

NER010L



Single Speed - Dimensions

Capacity (Tons)	Model	Style	a	b	C	d	e	g	h	i
2 1/2	NER025S	NER1	30.9"	18.9"	24.6"	15.5"	15.5"	1.6"	7.2"	6.5"
2 1/2	NER025S	NER2	28.9"	17.5"	24.6"	13.2"	15.7"	1.6"	6.9"	5.6"
5	NER050L	NER1	30.9"	18.9"	32.9"	15.5"	15.5"	1.8"	9.6"	4.0"
5	NER050L	NER2	28.9"	17.5"	33.5"	13.2"	15.7"	1.9"	9.1"	3.3"

Green shading reflects rental inventory.

Single Speed - Specifications

Capacity (Tons)	Model	Style	Lifting Speed (ft./min.)	Headroom	Lifting Motor 3 Phase 60 Hz			Load Chain (mm)	Weight (lbs.)	Weight for Additional One Foot of Lift (lbs.)	Strands of Load Chain
					Output (Hp)	Rated Current (amps)					
						@208-230V	@460V				
2 1/2	NER025S	NER1	23	24.6"	4.7	18.3	9.2	11.2 x 34.40	228	1.9	1
2 1/2	NER025S	NER2	22	24.6"	4.7	16.4	7.9	11.2 x 31.20	208	1.9	1
5	NER050L	NER1	12	32.9"	4.7	18.3	9.2	11.2 x 34.40	268	4.0	2
5	NER050L	NER2	11	33.5"	4.7	16.4	7.9	11.2 x 31.20	251	3.8	2

Green shading reflects rental inventory.