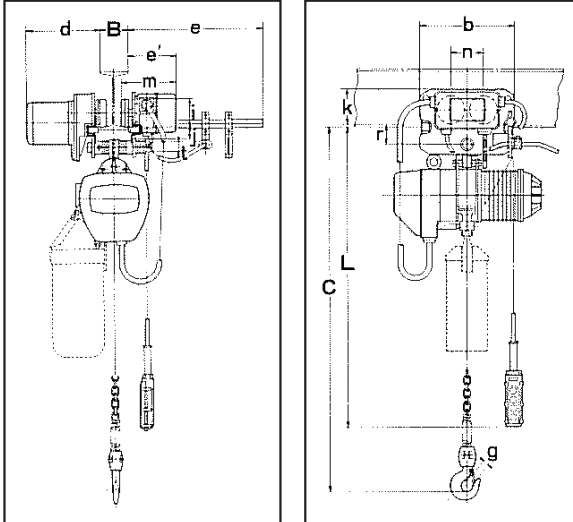


## Electric Chain Hoists | 1 1/2 - 10 Ton | ESM | Motorized Trolley - Single Speed



Specifications							
Capacity (Tons)	Model	Standard Lift	Push Button Cord: L (ft.)	Lifting Motor 3 Phase 230 or 460 V		Weight (lbs.)	Weight for Additional One Ft. of Lift (lbs.)
	Single Speed Hoist			Output (Hp) (AMP @460V)***	Duty Rating Min.		
	Single Speed Trolley			Single Speed	Single Speed		
1 1/2	ESM015S	10'	8'	.5 (1.2)	40	351	1.5
2 1/2	ESM025S		8.5'	1 (1.9)		391	1.9
3	ESM030S		9'			404	3.3
5	ESM050S		9'			430	4.0
10-L**	ESM100L		10'	627		8.1	

*Green shading reflects rental inventory.*

Dimensions															
Capacity (Tons)	Model	Lug Mounted Values Min. Distance from Bottom of Beam to Hook: C (in.) Code	b	d	e	e1	g	i	k	Trolley Speed (ft./min.)	n	r	t (in.)	Std. Beam Width: B*	Min. Radius
		Single Speed		Single Speed						Single Speed					
1 1/2	ESM015S	27.4"	12.8"	10.4"	18.7"	6.7"	1.3"	4.3"	4.7"	40 Std. 80 (Opt.)	5.0"	2.4"	1.4"	3.94" – 5.91"	32"
2 1/2	ESM025S	28.5"	13.4"	10.4"	18.7"	6.7"	1.6"	4.9"	5.2"		5.5"	2.8"	1.7"		
3	ESM030S	34.3"	13.4"	10.4"	18.7"	6.7"	1.7"	4.9"	5.2"		5.5"	2.8"	1.7"	4.92" – 6.89"	79"
5	ESM050S	36.4"	15.8"	10.7"	19.1"	7.1"	1.8"	5.5"	5.7"		6.1"	3.4"	2.1"		
10-L**	ESM100L	46.5"	20.0"	11.0"	19.0"	7.0"	2.4"	7.0"	7.0"	40	7.5"	6.0"	3.0"	5.91" – 8.66"	98"

\* Other widths available. Consult LGH.

\*\* 8 ton and 10 ton L capacity has single hoist body.

\*\*\* Rated current @ 230V is 2 times table value.

† Values are for lug mounted units.

*Green shading reflects rental inventory.*