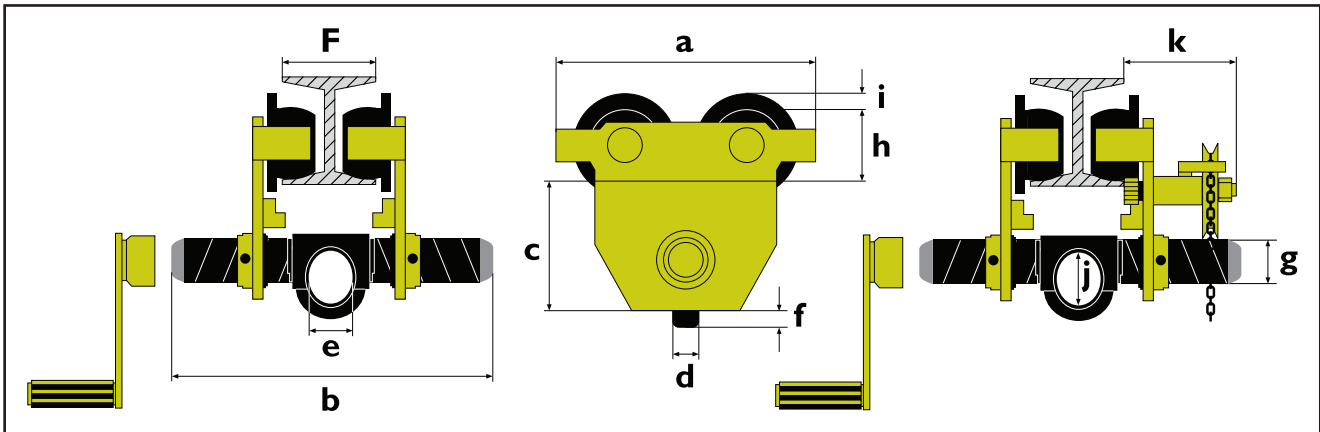
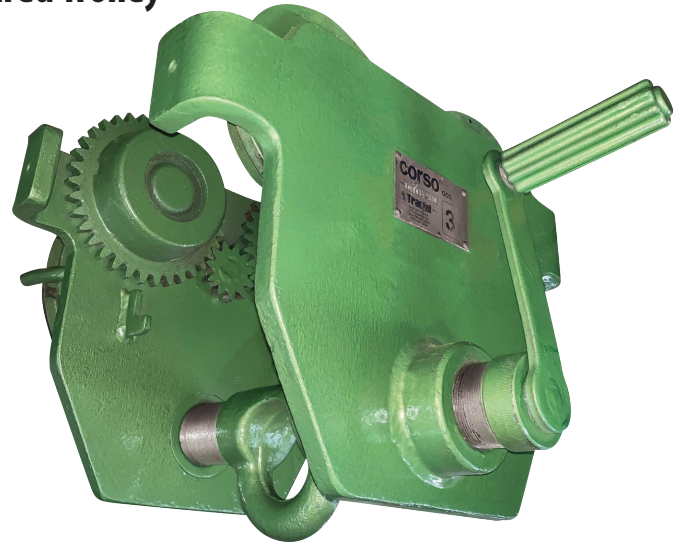


Beam Trolleys | 1/2 – 20 Ton | corso® | Push / Geared Trolley



corso® Push Beam Trolley Specifications

Capacity	Radius of Curve	Effort on Chain at Capacity	Dimensions													Weight	
			a	b	c	d	e	f	g	h	k	l	Beam Width (standard) F	Beam Width (special) F optional	push	gear	
			ft. (m)	lbs.	in. (mm)	in. (mm)	in. (mm)	in. (mm)	in. (mm)	in. (mm)	in. (mm)	in. (mm)	in. (mm)	in. (mm)	in. (mm)	in. (mm)	lbs. (kg)
1 t	3.3 (1)	12	9.9 (252)	13.2 (334)	4.1 (103)	0.7 (17)	1.2 (30)	0.7 (18)	1.2 (30)	2.4 (62)	3.9 (100)	0.6 (15)	2.3 – 8.7 (58 – 220)	8.7 – 11.8 (220 – 330)	22 (10)	42 (19)	
2 t	3.9 (1.2)	22	11.8 (300)	13.5 (342)	5 (103)	0.8 (21)	1.6 (40)	0.7 (18)	1.5 (38)	3.2 (80)	4.7 (120)	0.7 (18)	3 – 8.7 (66 – 220)	8.7 – 11.8 (220 – 330)	40 (18)	50 (22.5)	
3 t	4.2 (1.3)	16.5	14.2 (360)	14.1 (358)	7 (177)	0.8 (21)	1.9 (48)	0.7 (18)	1.8 (45)	3.8 (97)	5.3 (135)	0.6 (15)	2.9 – 8.7 (74 – 220)	8.7 – 11.8 (220 – 330)	71 (32)	83 (37.5)	
5 t	4.6 (1.4)	26.5	15.8 (400)	14.7 (372)	7.6 (192)	1.2 (31)	2.5 (58)	0.8 (20)	2.1 (52)	4.3 (110)	5.7 (145)	0.8 (20)	3.5 – 8.7 (90 – 220)	8.7 – 11.8 (220 – 330)	107 (48.5)	121 (55)	
10 t*	8.2 (2.5)	n/a	18.5 (470)	16 (405)	10.9 (276)	1 (25)	3.1 (80)	n/a	n/a	5.9 (150)	6.7 (170)	0.59 (15)	5.6 – 12.6 (142 – 220)	n/a	220 (100)	220 (100)	
20 t	16.4 (5)	n/a	39 (995)	16 (405)	10.9 (276)	1.4 (36)	4.3 (110)	n/a	n/a	5.9 (150)	6.7 (170)	0.59 (15)	6 – 12.6 (153 – 320)	n/a	n/a	463 (210)	

Green shading reflects rental inventory.

*In the United States, Corso® models with spaceradjustment are also available in capacities from 0.5 to 5 t.