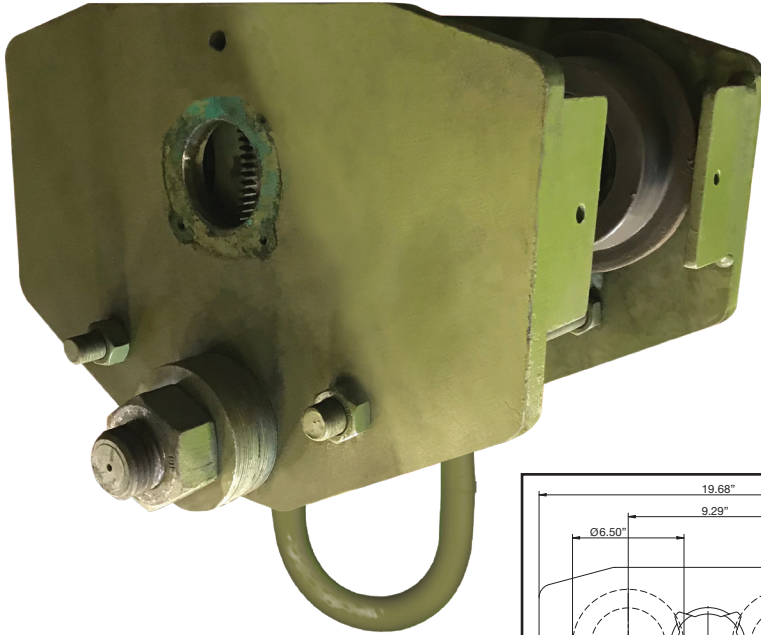
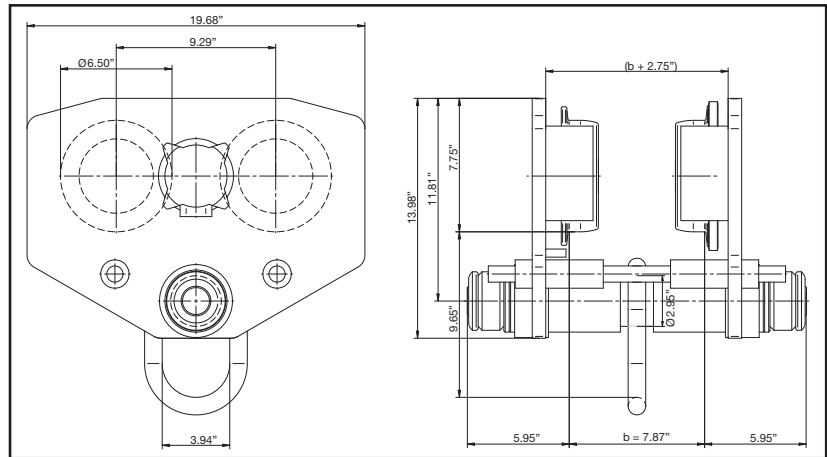


Beam Trolleys | 4–8 Ton | JDN Model | Push/Motorized Trolley

4 – 8 Ton Model



4–8T Push Trolley



4–8T Trolley Pins

Model	Bottom Flange Width Range	Tip-to-Tip Pin Length	Shoulder-to-Shoulder Dimension
Pin I	5.03" – 7.51"	17 1/2"	7.80"
Pin II	7.55" – 9.80"	19 3/4"	10.32"
Pin III	9.84" – 12.20"	22 1/4"	12.60"

4–8T

Trolley Type	Weight
Push	257.4 Lbs.
Motor	272.8 Lbs.

Green shading reflects rental inventory.

4–8T Motorized Trolley

