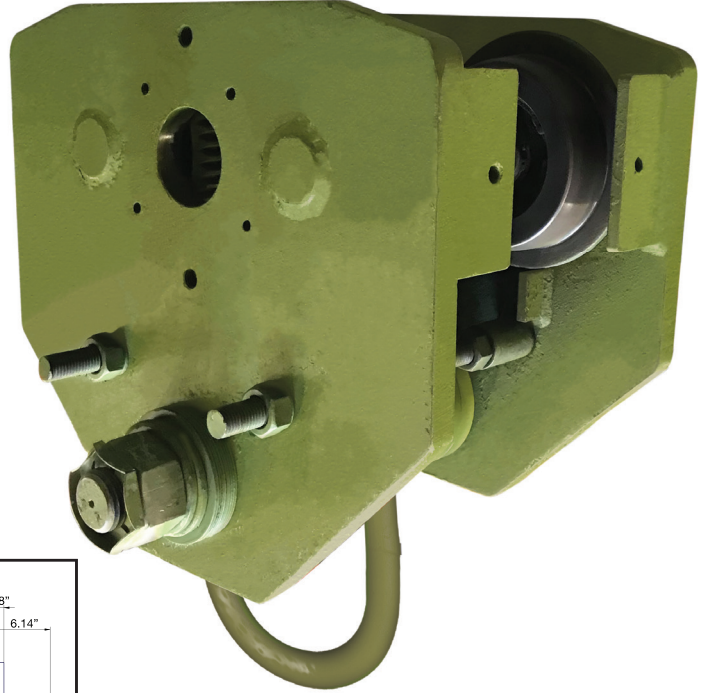
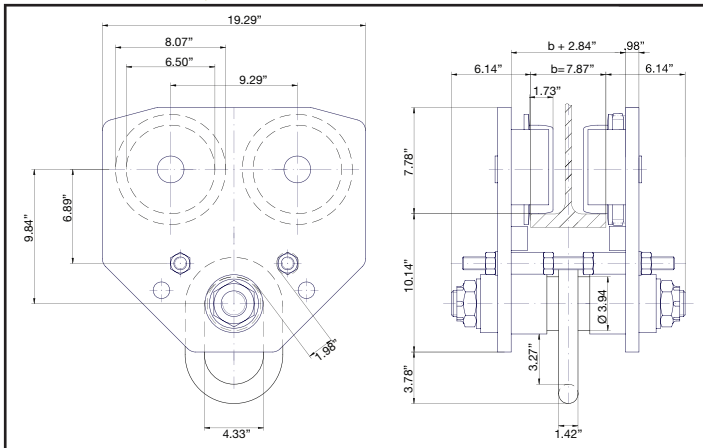
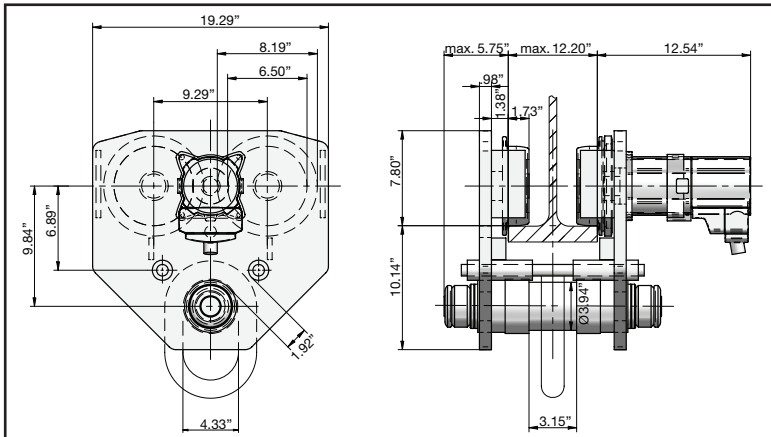


Beam Trolleys | 10–16 Ton | JDN Model | Push/Motorized Trolley

10 – 16 Ton Model

10-16T Push Trolley

10-16T Trolley Pins

Model	Bottom Flange Width Range	Tip-to-Tip Pin Length	Shoulder-to-Shoulder Dimension
Pin I	5.03" – 7.51"	17 ³ / ₄ "	7.80"
Pin II	7.55" – 9.80"	20 ¹ / ₄ "	10.32"
Pin III	9.84" – 12.20"	22 ¹ / ₂ "	12.60"
Pin IV	12.87" – 16.61"	26 ⁷ / ₈ "	—

10-16T Motorized Trolley

10-16T

Trolley Type	Weight
Push	264 Lbs.
Motor	418.9 Lbs.

Green shading reflects rental inventory.