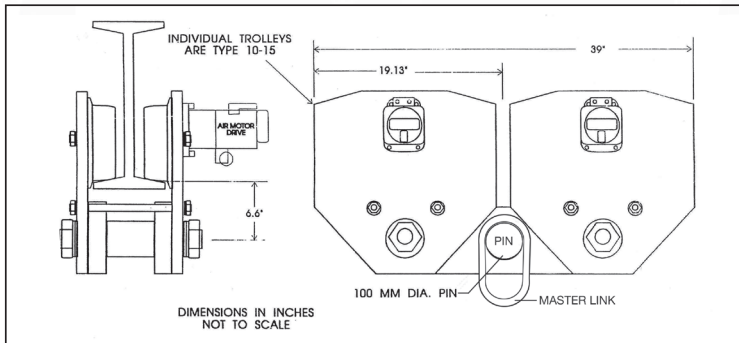


## Beam Trolleys | 25 - 50 Ton | JDN Model | Push/Motorized Trolley

### 50 Ton Model



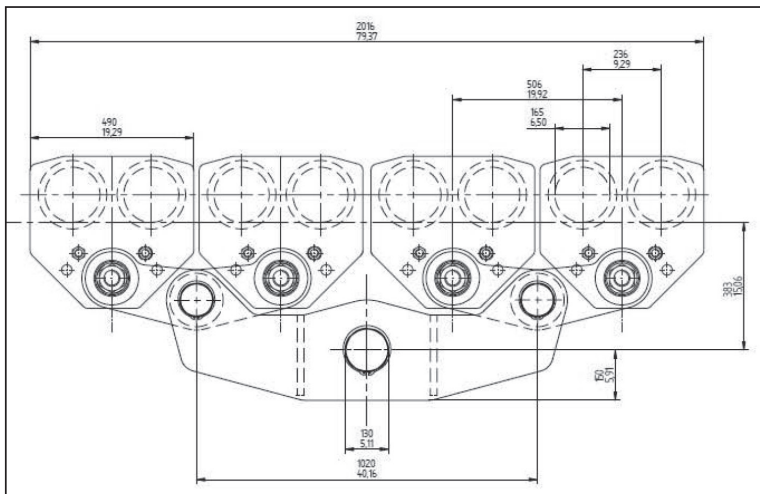
### 25 and 32 Ton



### Note:

1. If master ring is used around load pins, this will increase the headroom dimension.
2. Trolley can be used as either push or air powered, depending on trolley arrangement.

### 50 Ton



### Specifications

Capacity (Tons)	Flange Size (Inches)	Weight (lbs.)		Air Consumption (cfm)	Traveling Speed (fpm)
		Push	Air		
JDN25t	4.92" - 7.40" 7.48" - 9.68" 9.76" - 12.2" 12.87" - 16.61**	720	755	28.35	39
JDN32t	6.7" - 7.40" 7.48" - 9.68" 9.76" - 12.2" 12.87" - 16.61**	720	755	28.35	39
JDN50t	4.92" - 7.40" 7.48" - 9.68" 9.76" - 12.2" 12.87" - 16.61**	2,500	2,550	28.35	39

Green shading reflects rental inventory.