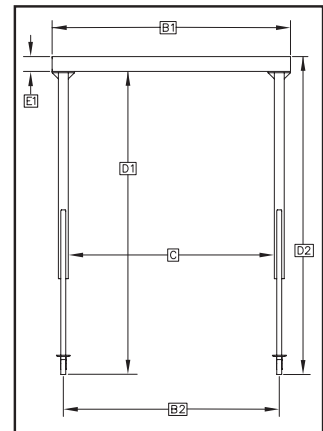
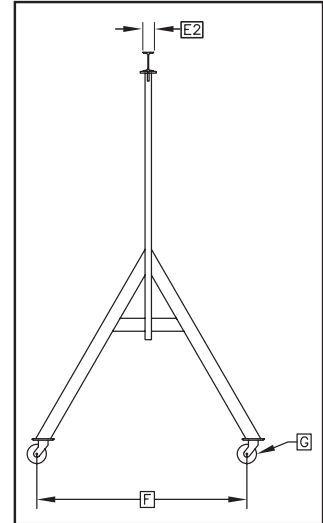




THE LIFTING EXPERTS

(800) 878-7305 www.RentLGH.com Rentals@RentLGH.com

Steel Gantries | 3 Ton | A-Series | Adjustable



A Series – Steel Adjustable Height/Span													
Capacity (Tons)	B1 Overall Span	B2 Span Between Wheel Centers	C Clear Span	D1 Height Under Beam		D2 Overall Height		E1 Beam Size	E2 Beam Flange Width	F Tread Width	G Wheel Dia.	Weight (Lbs.)	Model No.
				Min.	Max.	Min.	Max.						
3 Ton	10'	9' 1"	8' 6"	9' 4"	12' 10"	10' 2"	13' 8"	S10" X 25.4#	4 5/8"	6' 6"	8"	793	3A1012
		9' 1"	8' 6"	12' 4"	15' 10"	13' 2"	16' 8"	S10" X 25.4#	4 5/8"	6' 6"	8"	857	3A1015
	15'	14' 1"	13' 6"	9' 4"	12' 10"	10' 2"	13' 8"	S10" X 25.4#	4 5/8"	6' 6"	8"	990	3A1512
		14' 1"	13' 6"	12' 4"	15' 10"	13' 2"	16' 8"	S10" X 25.4#	4 5/8"	6' 6"	8"	1054	3A1515
	20'	19' 1"	18' 6"	9' 4"	12' 10"	10' 9"	14' 3"	S15" X 42.9#	5 1/2"	6' 6"	8"	1611	3A2012-W
		19' 1"	18' 6"	12' 4"	15' 10"	13' 9"	17' 3"	S15" X 42.9#	5 1/2"	6' 6"	8"	1673	3A2015-W
	25'	24' 1"	23' 6"	9' 4"	12' 10"	10' 11"	14' 5"	S18" X 54.7#	6"	6' 6"	8"	1861	3A2512-W
		24' 1"	23' 6"	12' 4"	15' 10"	13' 11"	17' 5"	S18" X 54.7#	6"	6' 6"	8"	1949	3A2515-W
	30'	29' 1"	28' 6"	9' 4"	12' 10"	10' 11"	14' 5"	S18" X 54.7#*	6"	6' 6"	8"	2261	3A3012-W
		29' 1"	28' 6"	12' 4"	15' 10"	13' 11"	17' 5"	S18" X 54.7#*	6"	6' 6"	8"	2349	3A3015-W
	35'	34' 1"	33' 6"	9' 4"	12' 10"	11' 2"	14' 8"	S18" X 54.7#*	6"	6' 6"	8"	2991	3A3512-W
		34' 1"	33' 6"	12' 4"	15' 10"	14' 2"	17' 8"	S18" X 54.7#*	6"	6' 6"	8"	3079	3A3515-W
	40'	39' 1"	38' 6"	9' 4"	12' 10"	11' 5"	14' 11"	S18" X 54.7#*	6"	6' 6"	8"	3971	3A4012-W
		39' 1"	38' 6"	12' 4"	15' 10"	14' 5"	17' 11"	S18" X 54.7#*	6"	6' 6"	8"	4059	3A4015-W

Green shading reflects rental inventory.
* Capped I-Beam

