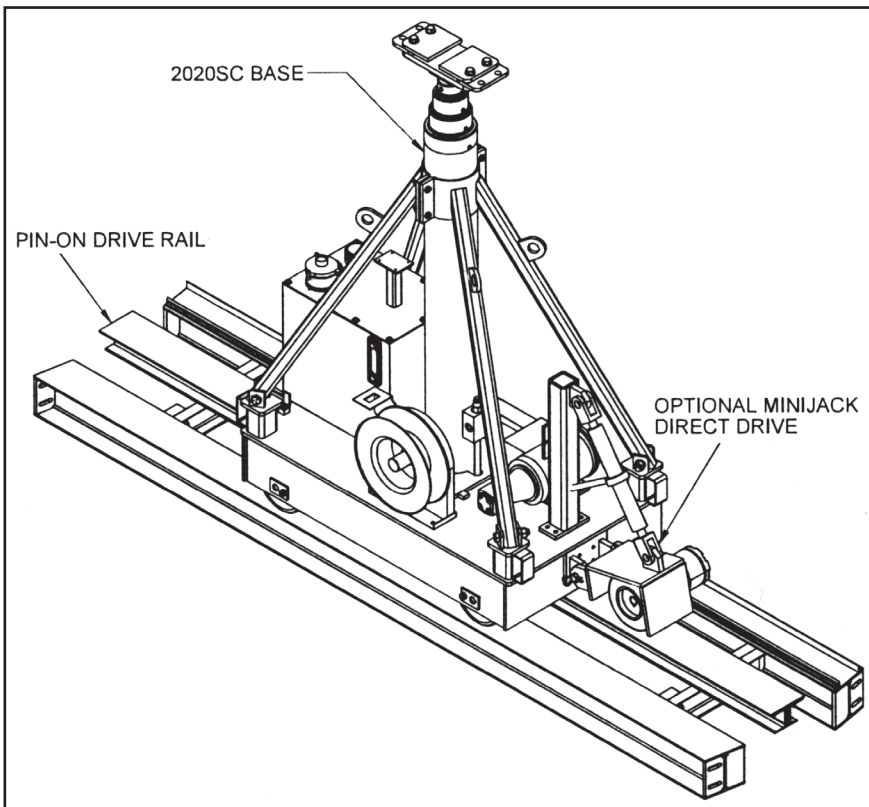
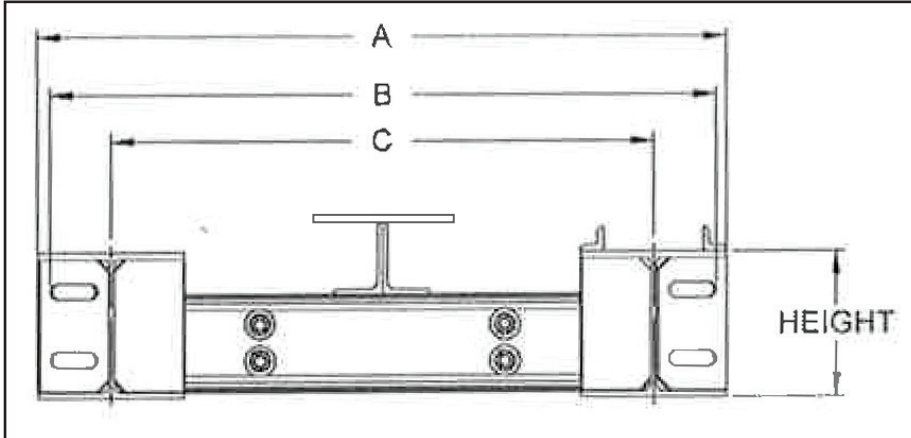


Adjustable Width Runway Track | 6" Runway Track for 20 Ton Hydraulic Gantry 2020



Specifications					
Height	Weight	Standard Length	Dimensions		
			A	B	C
6 3/8"	65 lbs./ft.	10'	28 1/4"	28"	24"

Green shading reflects rental inventory.

- Can provide additional heights
- Incorporate to helping maintain plumb and level lifting
- Can spread ground forces over a larger area
- Provide for long runways