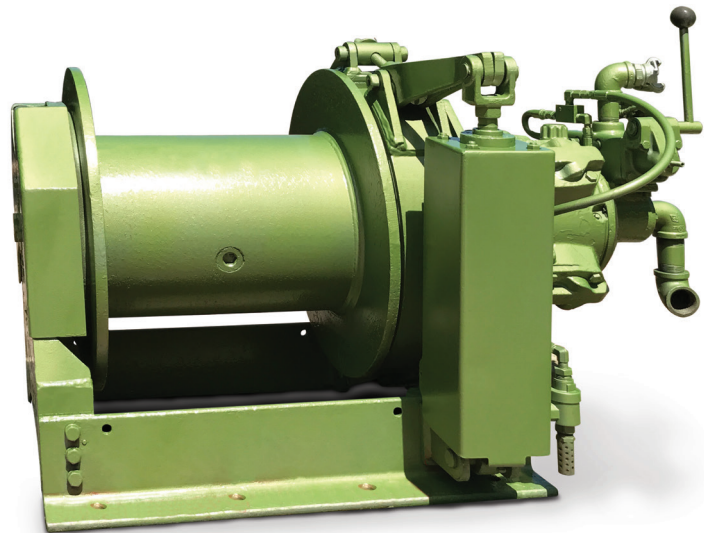




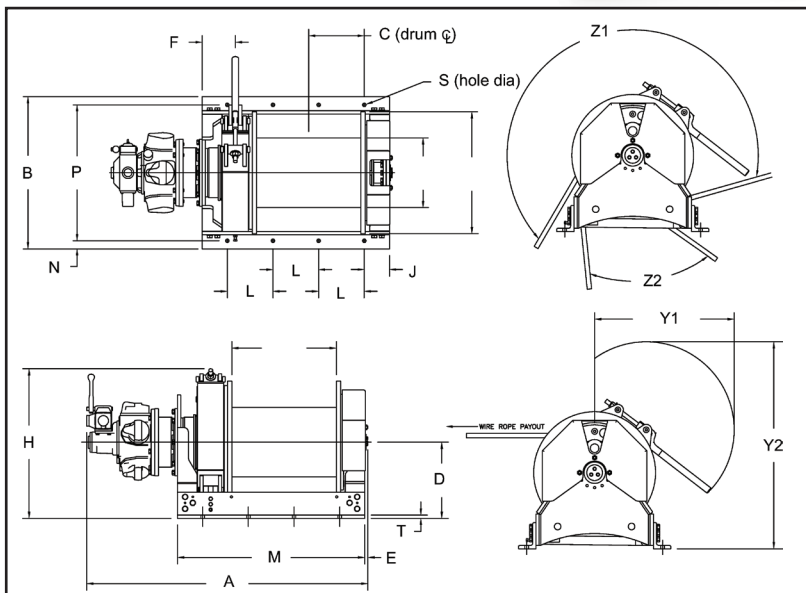
**THE LIFTING EXPERTS**

(800) 878-7305    www.RentLGH.com    Rentals@RentLGH.com

## Air Winches | 4,700 Lbs. | TA2 Model



**Model TA2-16MX1**



TA2 Series Dimensions													
Item	A	C	F	H	J	K	L	W	Y1	Y2	Z1	Z2	Bolt Hole Size Grade
TA2-16MX1	44.00"	9.06"	5.25"	28.50"	28.50"	2.88"	7.50"	16.00"	20.00"	37.00"	223°	34°	5/8" – G8

*Green shading reflects rental inventory.*

TA2 Series Performance Characteristics																	
Model	Load Rating 1st Layer	Load Rating Mid-Drum	Load Rating Full Drum	Line Speed 1st Layer	Line Speed Mid-Drum	Line Speed Full Drum	Drum Capacity 1st Layer	Drum Capacity Mid-Drum	Drum Capacity Full Drum	Input HP	Max. Stall Pull 1st Layer	Wire Rope Diameter	Pressure	Flow	Pipe Inlet Size	Hose Size	Approximate Ship Weight
TA2-16	7,200 lbs.	5,700 lbs.	4,700 lbs.	30 fpm	38 fpm	46 fpm	83'	380'	850'	7.1 hp	9,000 lbs.	.5"	90 psi	250 scfm	1"	1.25"	990 lbs.

*Green shading reflects rental inventory.*

