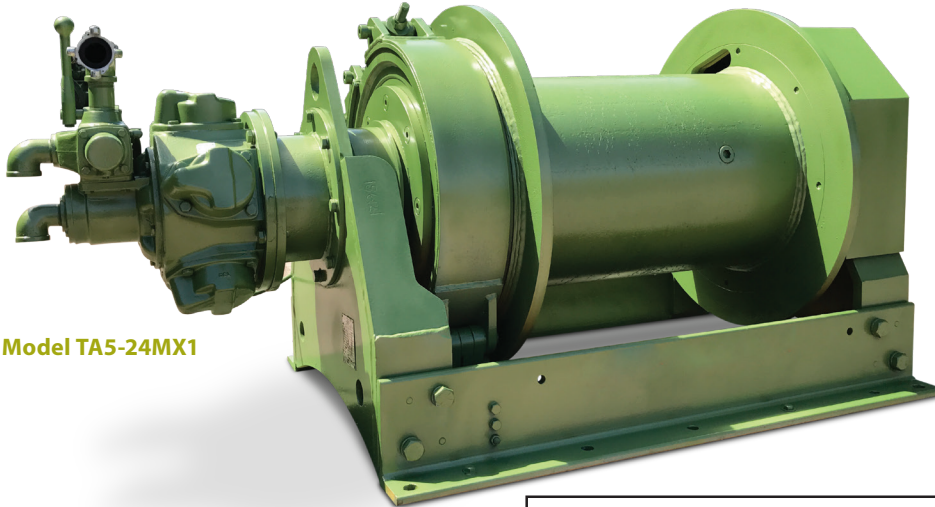




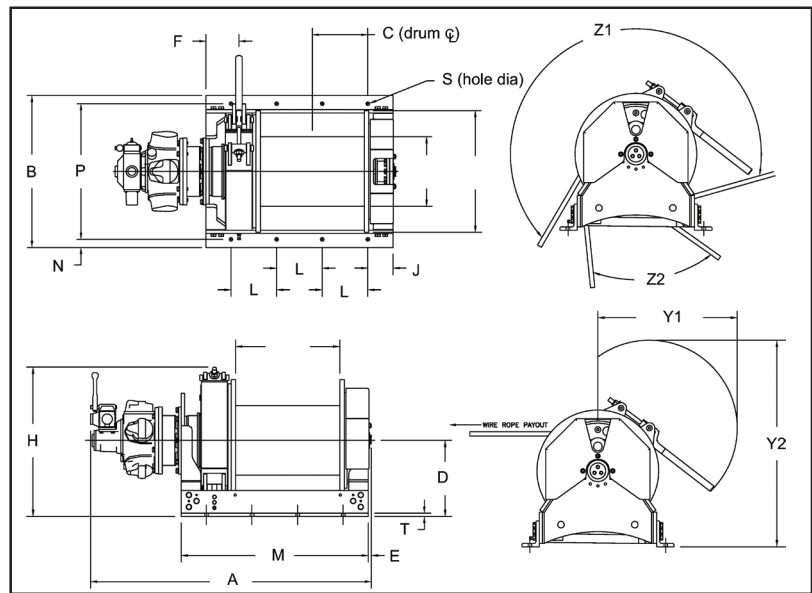
**THE LIFTING EXPERTS**

(800) 878-7305    www.RentLGH.com    Rentals@RentLGH.com

## Air Winches | 11,500 Lbs. | TA5 Model



**Model TA5-24MX1**



### TA5 Series Dimensions

Item	A	C	F	H	J	K	L	W	No. of Bolt Holes	Y1	Y2	Z1	Z2	Bolt Hole Size Grade
<b>TA5-24MX1</b>	65.00"	12.78"	7.75"	34.50"	43.50"	5.78"	10.50"	24.00"	8	32.50"	48.00"	224°	50°	3/4" – G8

*Green shading reflects rental inventory.*

### TA5 Series Performance Characteristics

Model	Load Rating 1st Layer	Load Rating Mid-Drum	Load Rating Full Drum	Line Speed 1st Layer	Line Speed Mid-Drum	Line Speed Full Drum	Drum Capacity 1st Layer	Drum Capacity Mid-Drum	Drum Capacity Full Drum	Input HP	Max. Stall Pull 1st Layer	Wire Rope Diameter	Pressure	Flow	Pipe Inlet Size	Hose Size	Approximate Ship Weight
<b>TA5-24</b>	18,000 lbs.	14,000 lbs.	11,500 lbs.	30 fpm	39 fpm	47 fpm	120'	550'	1,210'	17.8 hp	33,000 lbs.	.75"	90 psi	550 scfm	1.5"	1.5"	2,745 lbs.

*Green shading reflects rental inventory.*

