

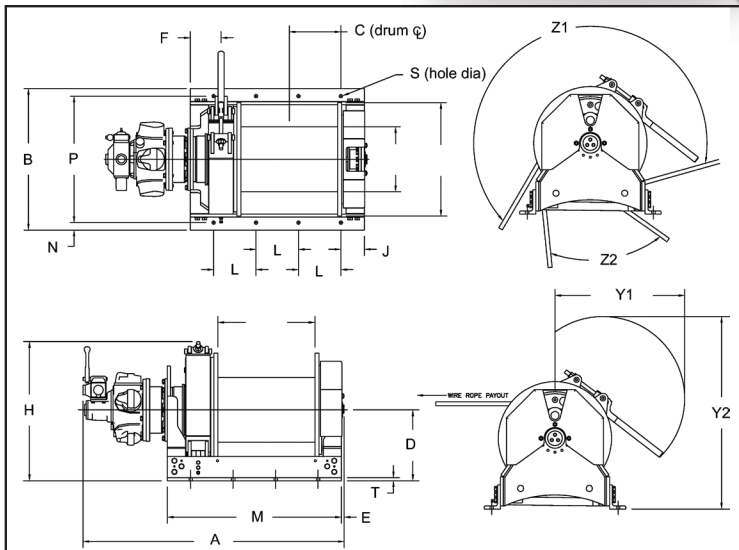
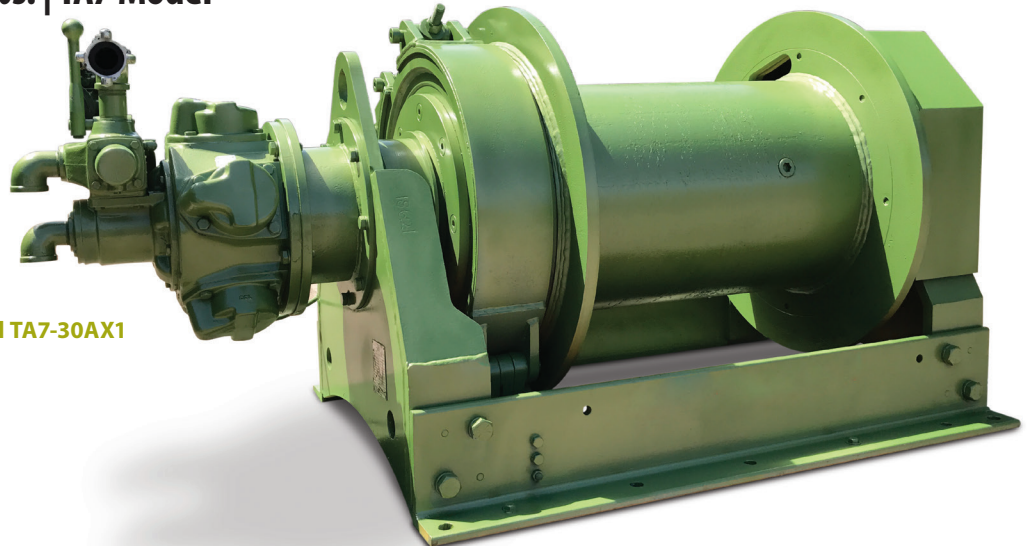


**THE LIFTING EXPERTS**

(800) 878-7305    www.RentLGH.com    Rentals@RentLGH.com

## Air Winches | 15,900 Lbs. | TA7 Model

Model TA7-30AX1



### TA7 Series Dimensions

Model	A	B	C	D	E	F	H	J	L	M	N	P	S (hole diameter)	T	W	Y1	Y2	Z1	Z2	# Bolts	Bolt Hole Size Grade
TA7-24	69"	38"	15.41"	20"	1"	9.25"	37.00"	5.38"	9.00"	47"	1.88"	34.25"	0.94"	0.75"	24.00"	32.00"	51.00"	210°	39°	10	7/8" – G8
TA7-30	75"	38"	17.41"	20"	1"	9.25"	37.00"	6.38"	10.00"	53"	1.88"	34.25"	0.94"	0.75"	30.00"	32.00 in.	51.00 in.	210°	39°	10	7/8" – G8

Green shading reflects rental inventory.

### TA7 Series Performance Characteristics

Model	Load Rating 1st Layer	Load Rating Mid-Drum	Load Rating Full Drum	Line Speed 1st Layer	Line Speed Mid-Drum	Line Speed Full Drum	Drum Capacity 1st Layer	Drum Capacity Mid-Drum	Drum Capacity Full Drum	Input HP	Max. Stall Pull 1st Layer	Wire Rope Diameter	Pressure	Flow	Pipe Inlet Size	Hose Size	Approximate Ship Weight
TA7-24	23,600 lbs.	19,000 lbs.	15,900 lbs.	19 fpm	24 fpm	29 fpm	120'	520'	1,150'	14.4 hp	38,000 lbs.	.88"	90 psi	550 scfm	1.5"	1.5"	3,600 lbs.
TA7-30	23,600 lbs.	19,000 lbs.	15,900 lbs.	19 fpm	24 fpm	29 fpm	160'	650'	1,440'	14.4 hp	38,000 lbs.	.88"	90 psi	550 scfm	1.5"	1.5"	3,765 lbs.

Green shading reflects rental inventory.

