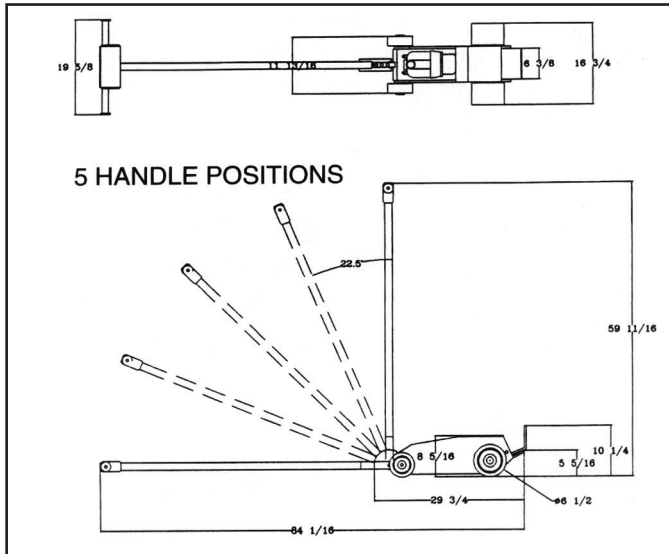


Electric Power Bar | 8,000 Lbs.



Technical Data/Specifications

Rated Capacity Skid 8,000 lbs.
 Weight of Unit 125 lbs.
 Free Running Speed. 38.5 ft./in.

Drive Wheel

Size: 6 1/2" diameter, 4 1/2" wide
 Composition: Polyurethane

Motor Characteristics

Motor Rating Continuous 1/2 Horsepower
 Current Free Running 5 Amp
 Current Stall 30 Amp
 Voltage 115 AC/DC

Cautions

- Push the load forward ONLY. Pulling under load will cause damage.
- Use 50' or less of drop cord with a 12 gauge or larger, on at least a 20 amp circuit.
- Do not set load on top of the body only use the (two) tongue options, to bite for leverage.
- For positioning loads only. Reverse direction on switch is only to back unit after final positioning.
- Change Direction (forward or reverse) ONLY after power bar has come to a complete stop.
- Failure to comply with these cautions will result in significant damage to internal components.

