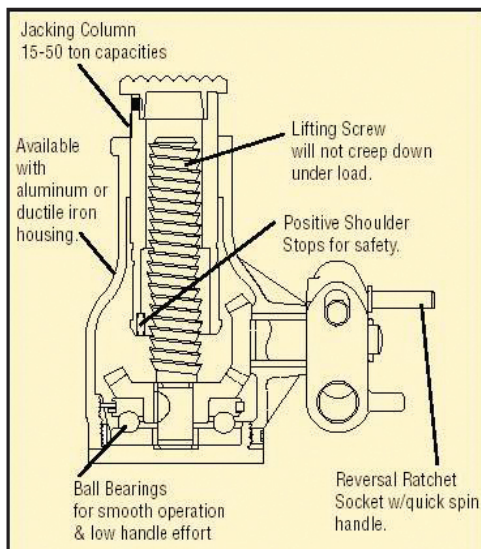


Mechanical Jacks | 50 Ton | Mechanical Super Jack



Outdoor use and weld splatter can shorten the life of standard jacks. "We chose Simplex Superjacks for the bullet proof construction and holding power." They provide trouble-free service in the roughest applications. — Simplex® Customer

**Model
5010B**



Specifications

Model	Capacity (Tons)	Min. Height (in.)	Stroke (in.)	Handle Effort Per Ton (lbs.)	Base Diameter (in.)	Weight (lbs.)	Steel Lever Bars			
							Order Number	Length (in.)	Diameter (in.)	Weight (lbs.)
5010B	50	10 ⁷ / ₁₆	4	4	7 ¹ / ₄	80	10660	56	1 ¹ / ₈	16

Green shading reflects rental inventory.