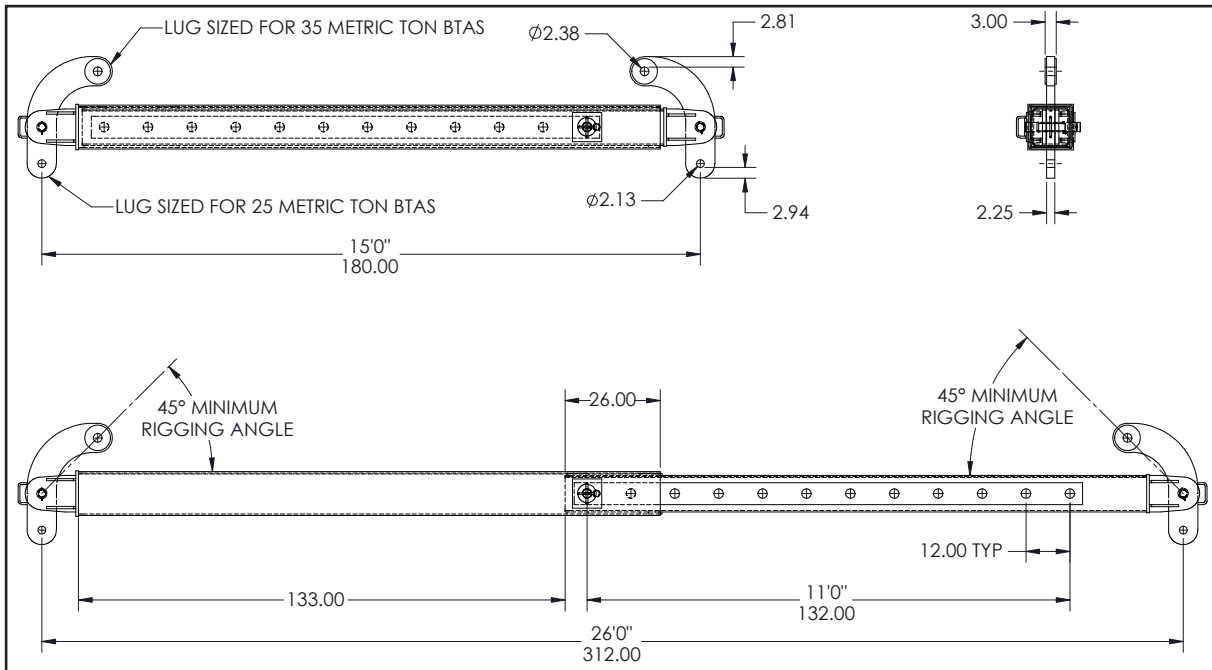
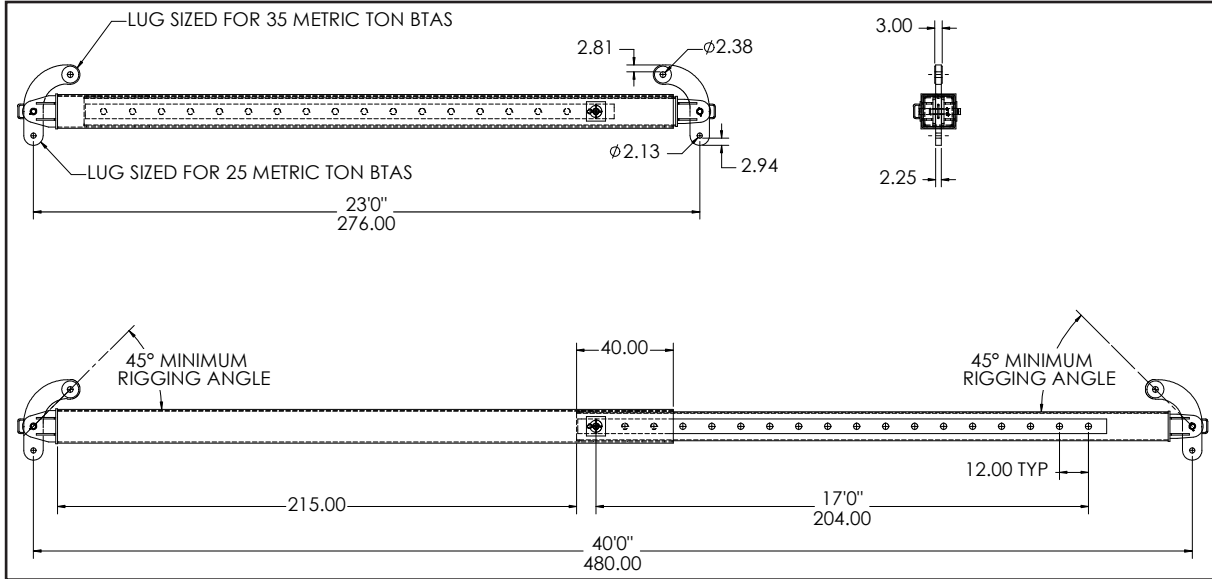


Telescopic Spreader Beams | 45 - 50 Ton | Spreader Lifting Beam



Specifications

Model	Capacity (ton)	Weight (lbs.)	Min Length Capacity	Max Length Capacity
325-45-23/40	45	4400	23'	40'
325-50-15/26	50	2500	15'	26'

Green shading reflects rental inventory.

