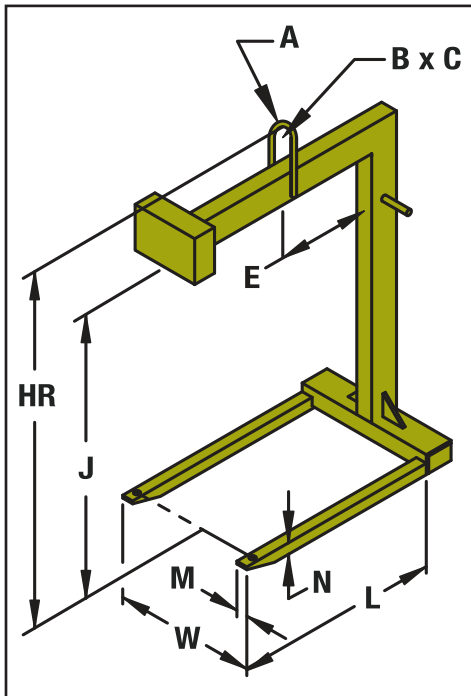


Pallet Lifter | 2-3 Ton | Model 90 | Fixed Forks



Specifications

Model No.	Capacity (tons)	Dimensions (in)									Weight (lbs)	
		Forks			W	E	Bail			J*		HR
		L	M	N			A	B	C			
90-2-48	2	48	4	2	25	24	1	6	5	48	59½	627
90-3-48	3	48	4½	2½	27	24	1½	6⅞	7	48	61½	823

Green shading reflects rental inventory.

*Recommended is an additional 3 - 4" clearance above the load for ease of loading and unloading the lifter.