



THE LIFTING EXPERTS

(800) 878-7305

www.RentLGH.com

Rentals@RentLGH.com

# 1 Ton | Rapide Porta Gantry Series | Adjustable

Specifications														
Capacity (lbs)	Model Number	A Beam Length	B (in.)	C		D		E (in.)	F		G	H		J
				Min.	Max.	Min.	Max.		Min.	Max.		Min.	Max.	
2,200	US-PGR1TM30	9'10"	3x8	6' 2 1/2"	8' 2 1/2"	5' 8 1/2"	8' 0"	7 x 4	6' 9 1/4"	9' 3/4"	4' 10 1/2"	7' 1/2"	9' 4"	10' 1 1/4"

Specifications				
Capacity (lbs)	Model Number	Fall Arrest Capacity** No of Person(s)	Personnel Positioning** (lbs)	Unit Weight (lbs)
2,200	US-PGR1TM30	1	1,100	119

Green shading reflects rental inventory.  
 \*\* Ratings using ANSI Standards.



Model US-PGR1TM30

- A Beam Length
- B Beam Adjustment
- C Clear Operating Span
- D Height to Lifting Eye
- E Height Increment
- F Height to Top of Beam
- G Width
- H Height to Top of Roller
- J Folded Dimensions

## Product Features and Performance:

### Accreditations, Certifications & Standards

OSHA Compliant ✓

### Capacity

Max Goods Lifting (lbs) 2,200

Max Personnel Lifting (lbs) 1,100

Fall Arrest (Persons) 1

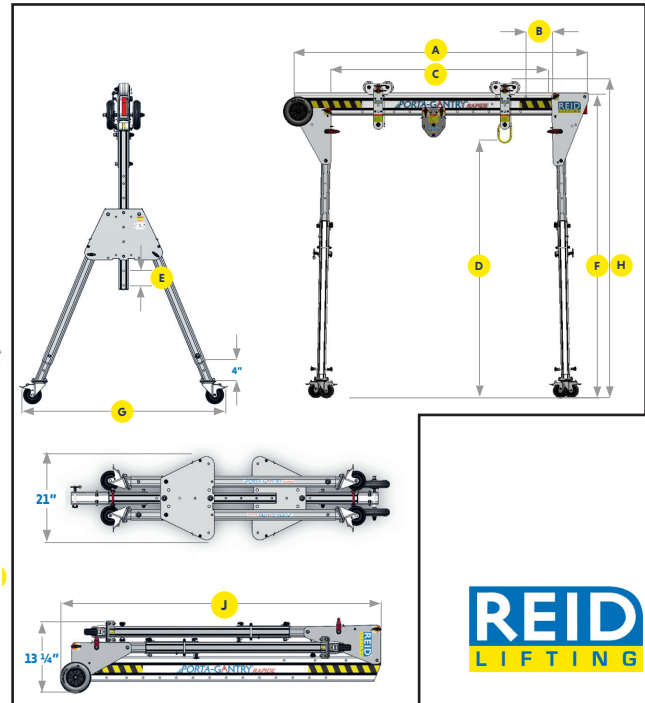
### Dimensions

Min Height Under Beam 4'8"

Max Height Under Beam 9'5"

### Beam Options

Beam Span 9'10" ✓



spec sheet 259

November 12, 2021 11:00 AM