



THE LIFTING EXPERTS

(800) 878-7305

www.RentLGH.com

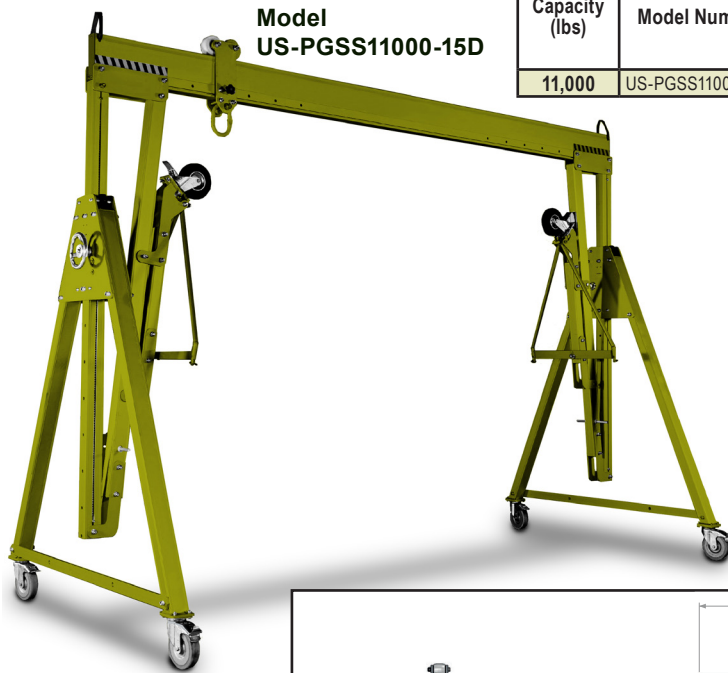
Rentals@RentLGH.com

5 Ton | Porta Gantry Series | Adjustable

Specifications											
Capacity (lbs)	Model Number	A Beam Length (ft)	B Beam Adjustment (in)	C Clear Operating Span	D Height to Lifting Eye (ft./in.)		E Height Increment (in.)	F Max Height to Top of Beam	G Width	H Height to Top of Roller	
					Min.	Max.				Min.	Max.
11,000	US-PGSS11000-15D	15	8x8	11' 3/4"	9' 4 1/2"	13' 3 1/2"	6 x 8#	14' 8 3/8"	6' 7 1/2"	11' 2 1/4"	15' 2 1/4"

Green shading reflects rental inventory.
 ** Ratings using ANSI standards

Specifications					
Capacity (lbs)	Model Number	Personnel Lifting (lbs)	Castor Diameter (in)	Beam Profile (in)	Weight (lbs)
11,000	US-PGSS11000-15D	5500	8	10 x 3	659



Product Features and Performance:

Accreditations, Certifications & Standards

OSHA Compliant ✓
 ANSI Z359.18-17 ✓

Capacity

Max Goods Lifting (lbs) 11,000

Dimensions

Min Height Under Beam 9' 4 1/2"
 Max Height Under Beam 13' 3 1/2"

Trolley Options

Standard ✓
 Gated ✓

- A Beam Length
- B Beam Adjustment
- C Height Operating Span
- D Height to Lifting Eye
- E Height Increment
- F Height to Top of Beam
- G Width
- H Height to Top of Roller

